

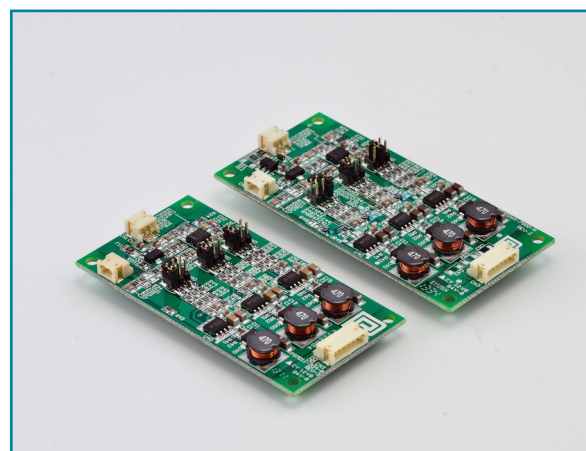
# LightCell Driver Plus

Last updated: Oct.2013

The LightCell Driver Plus is a dedicated constant current device designed to power the LightCell Plus.

This 3 channel plug & play driver is ideal for in-fixture installation and offers different output current configurations for different CCT's

LDP is available in 2 configurations: LDP2 and LDP4, each is designed to support different connection and load schemes.



LDP2 manufacturing code: PSM011-334-R by Phihong technologies co. LTD

LDP4 manufacturing code: PDM026X-750D-R by Phihong technologies co. LTD

## General Specifications:

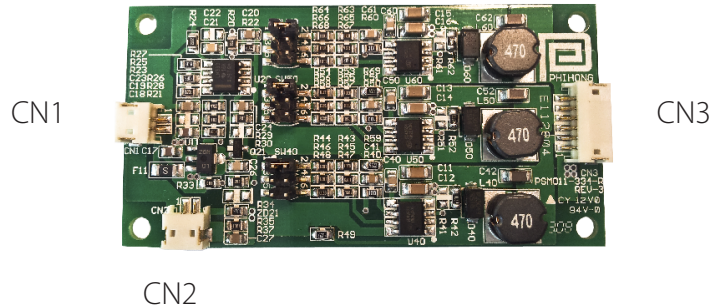
Parameter	LDP2	LDP4	Unit
L	73.5	80	mm
W	37.5	37.5	mm
H	10	10	mm
Channels	3	3	
Max. Power	10	20	W
Max. Efficiency	90	90	%
Current preset	Adjustable Via Jumper	Adjustable Via Jumper	
Input Voltage	24	36	VDC
Operating Temp.	-10 to +50	-10 to +50	°C

## Benefits:

- Small size
- Smooth continuous dimming
- Dimming protocol: 0-10V
- Reverse polarity protection
- RoHS compliant

# Mechanical Diagram:

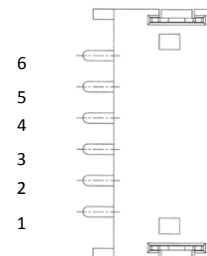
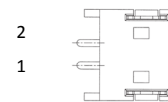
	LDP2	LDP4
Length	73.5	80
Width	37.5	37.5
Height	10	10
Weight	21	25



## Connection Pin-Out

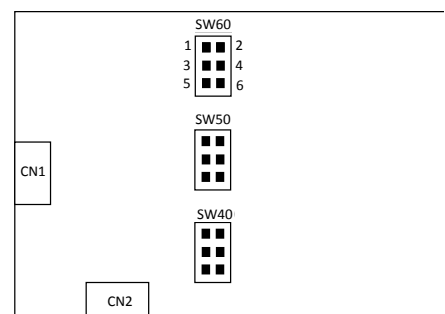
### Connections

	Designation	Pin	Definition
Input	CN1	1	GND
		2	Vin
Dimming	CN2	1	GND
		2	Vdim (0~10V)
Output	CN3	1	B1+
		2	B1-
		3	B2+
		4	B2-
		5	R+
		6	R-



### Jumper Settings

	Designation	Pin	CCT (K)
Blue 1	SW40	1-2	2700
		3-4	3000
		5-6	4000
Blue 2	SW50	1-2	2700
		3-4	3000
		5-6	4000
Red	SW60	1-2	2700
		3-4	3000
		5-6	4000



# Electrical Specifications

## Input Specifications

Parameter	LDP2	LDP4	Unit
Input Voltage	+24	+36	VDC
Input Max. Current	1.25	1.5	A
Max. Efficiency	90	90	%

## Output Current Specifications

Channel	CCT	Value	Unit
1 (Blue)	2700	218	mA
	3000	234	
	4000	260	
2 (Blue)	2700	218	mA
	3000	234	
	4000	260	
3 (Red)	2700	265	mA
	3000	234	
	4000	159	

## Operating Conditions:

Condition	Min	Max.	Unit
Ambient temp.	-10	+50	C
Storage temp.	-30	+75	C
Ambient Humidity	10%	90%	RH
Storage Humidity	5%	95%	RH

## Protection:

Fused powerline Input protection

LED short protection

# Wiring Diagram

